

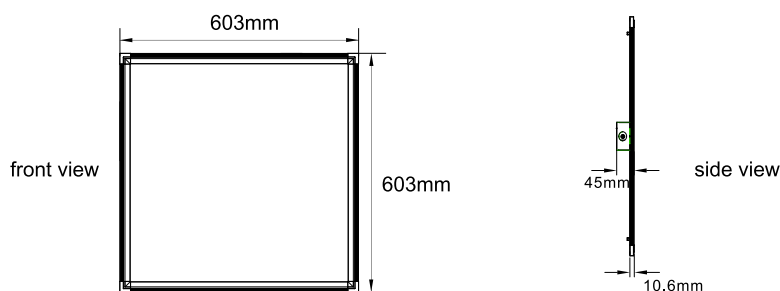
# UL LED Panel Light (DLC4.0 Standard)

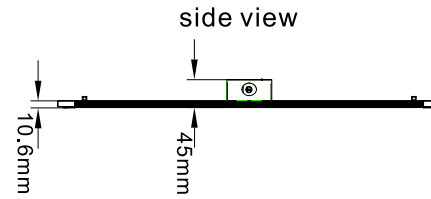
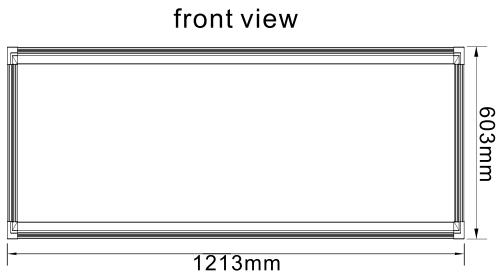
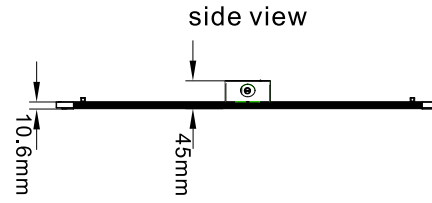
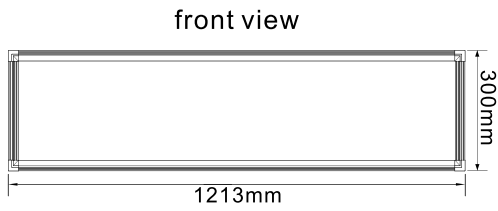


## Product Description

- **UL Listed Class P Type# Lifud's LED Driver with UL/cUL ,Longood's LED Driver with UL/cUL# E338513**
- **PF $\geq$ 0.90, Power Efficiency > 0.88, CRI > 80;**
- **Perfect Light Uniformity, LM-80-rated SMD2835 LED Chips, Up to 110LM/W ;**
- **Saving more than 80% energy compared with traditional grid fixtures.**
- **Light Guide Plate in 3mm thickness, imported from Taiwan;**
- **Approved from UL/cUL , DLC,ROHS, etc.**
- **5 years warranty.**

## Dimension



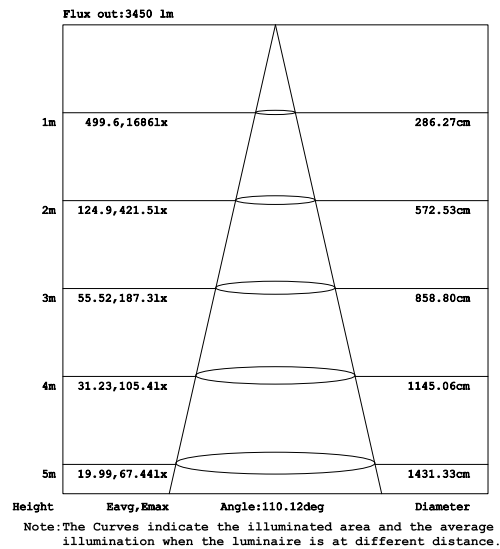
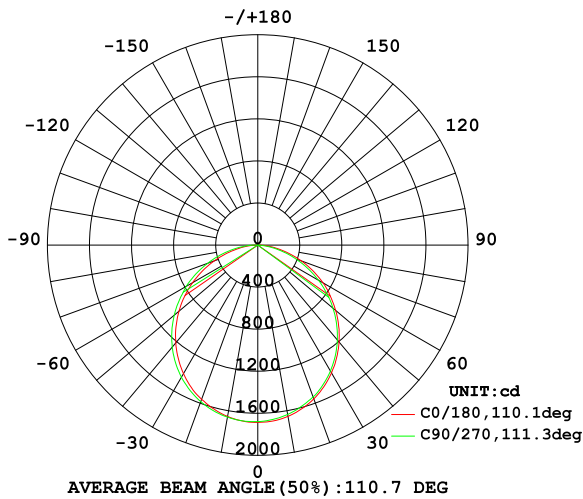


## Product Specification

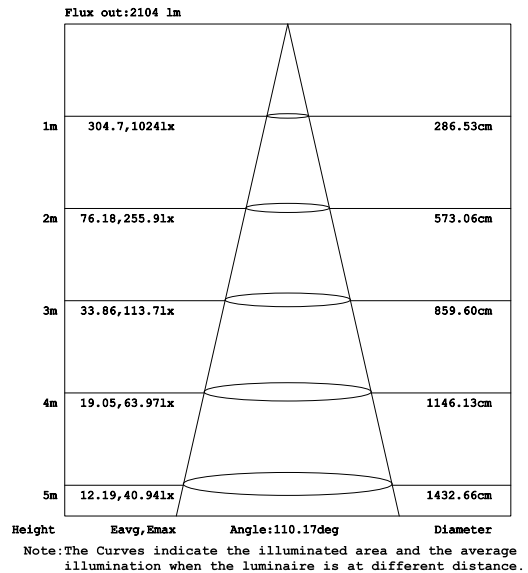
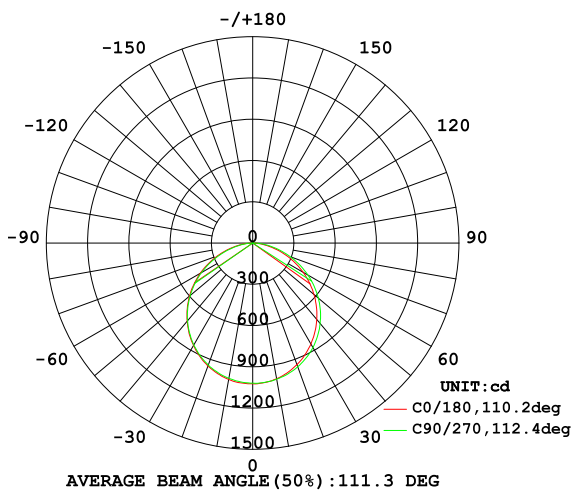
Size(Ft)	2X2			1X4	2X4			
Power Consumption(W)	25	40	50	40	40	50	60	72
Lumen Output(LM)	2625±5%	4200±5%	5250±5%	4200±5%	4200±5%	5250±5%	6300±5%	7560±5%
Light Efficacy (lm/W)	105±5%							
CCT(K)	3045±175K 3465±245K 3985±275K 4503±243K 5028±283K							
Color Rendering Index(CRI)	>80							
AC Input Rating(Vac)	AC 100-277V 50/60Hz							
Dimming(Non-dimming,0-10V)	Optional							
PF	≥0.90							

**Photometric Data&Diagram**

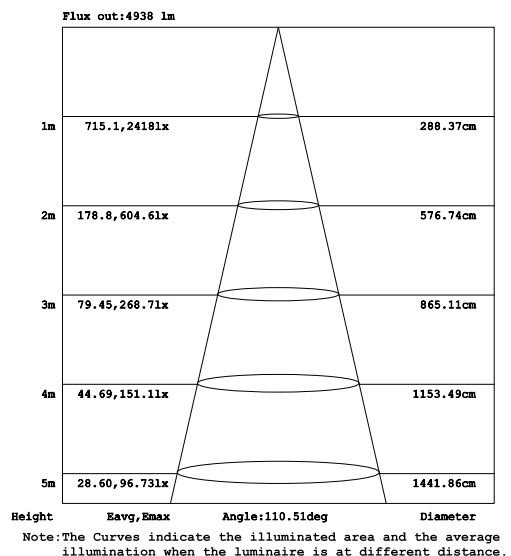
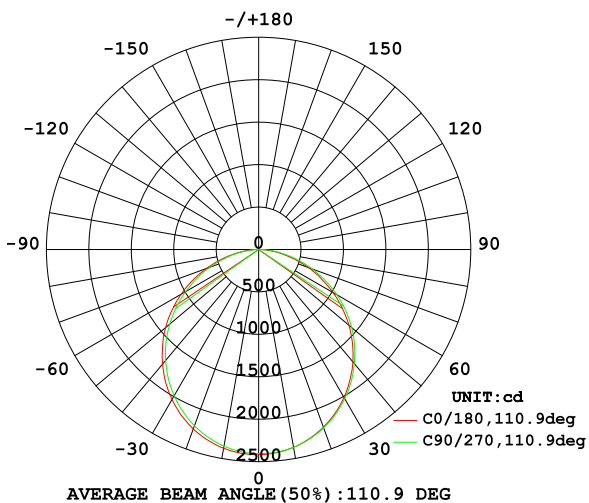
**1X4 LUMINOUS INTENSITY DISTRIBUTION DIAGRAM**



**2X2 LUMINOUS INTENSITY DISTRIBUTION DIAGRAM**

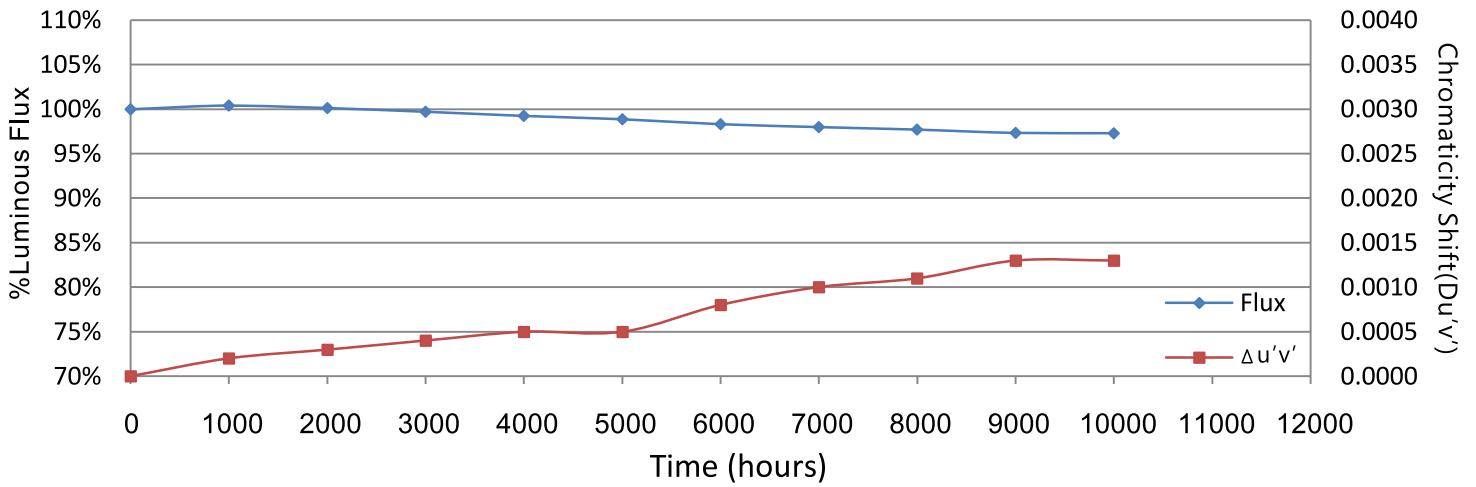


**2X4 LUMINOUS INTENSITY DISTRIBUTION DIAGRAM**

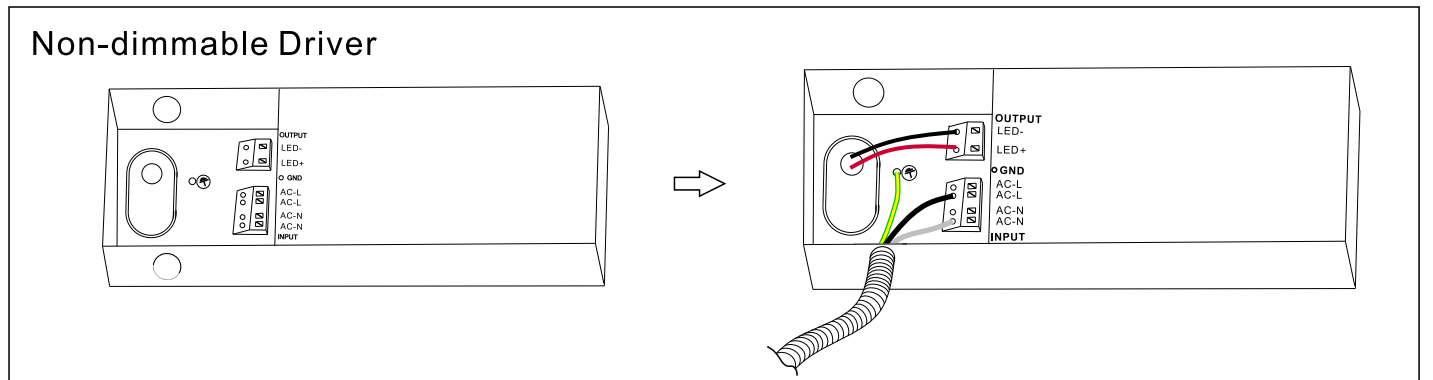
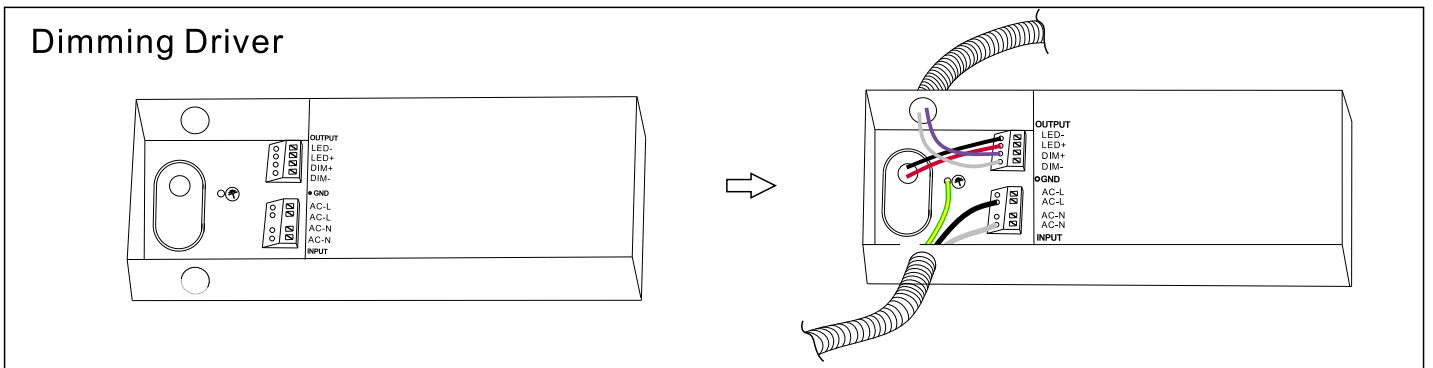


## Luminous Decay Graph

**Data Set 1, 55°C, 60mA (Chromaticity Shift)**

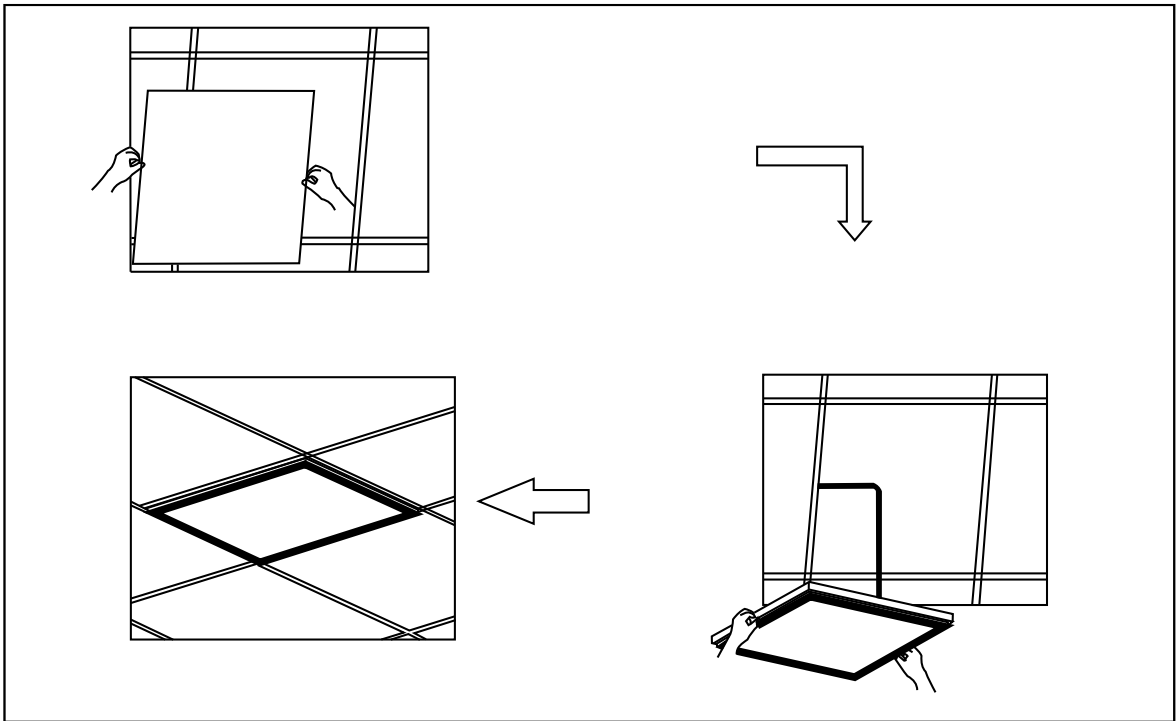


## Connection Mode

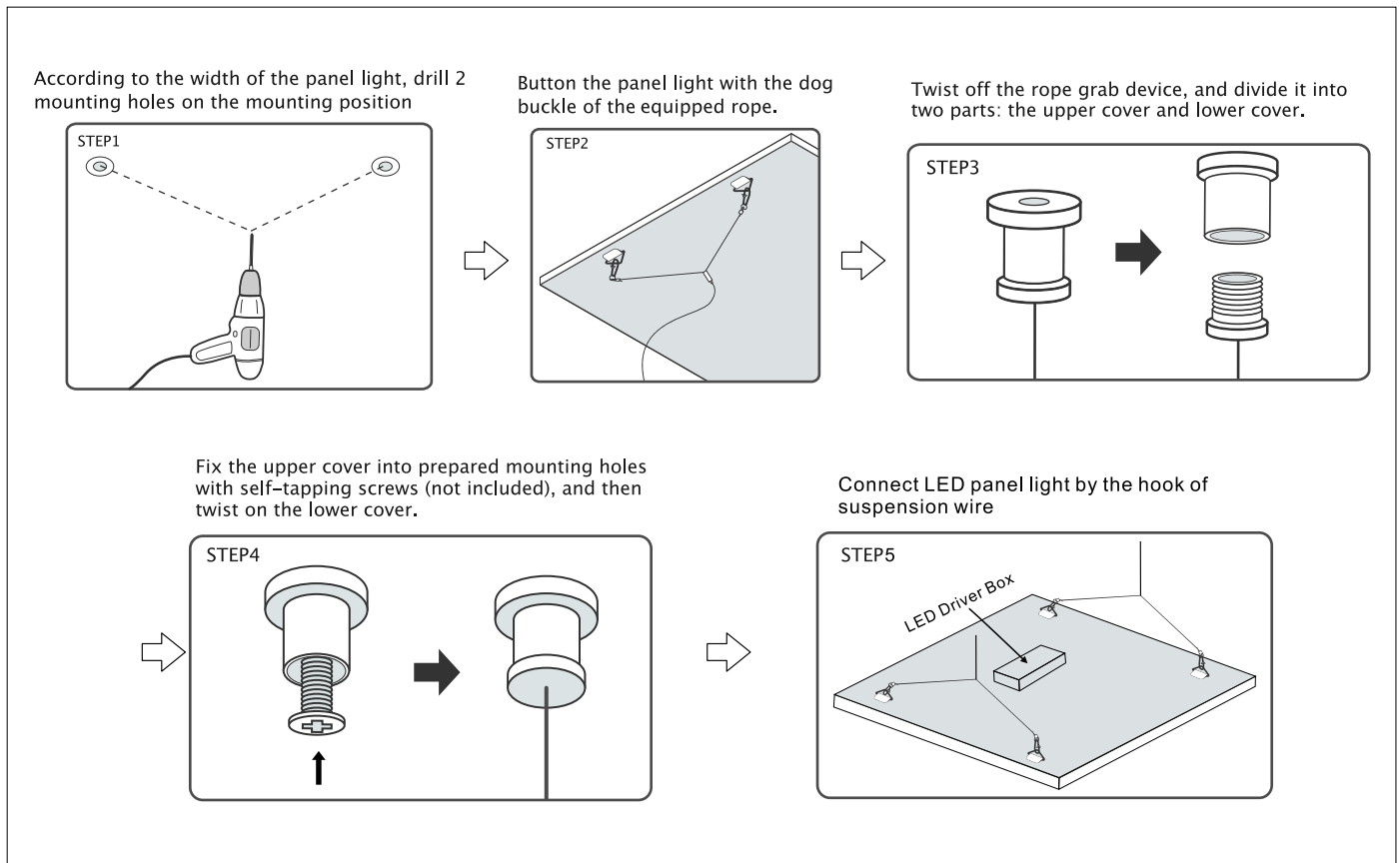


**Installation Guide**

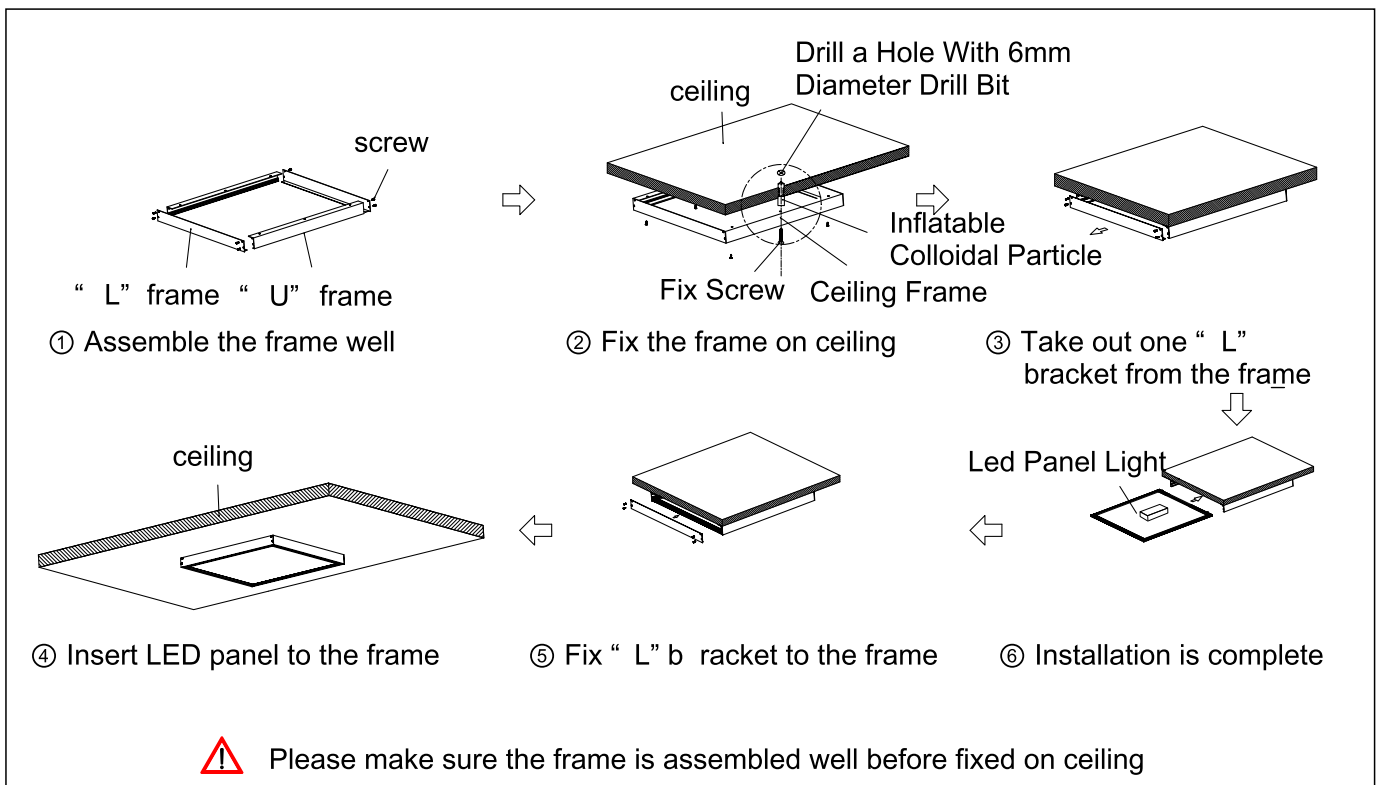
**Build-in**



**Suspended**

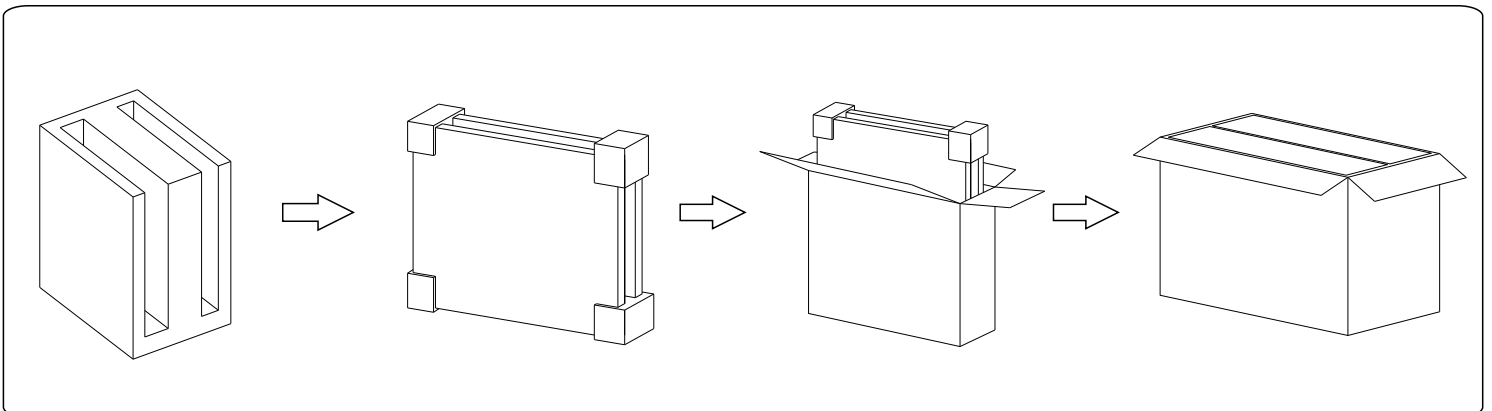


## Surface Mount



## Package

Item	N.W.	CARTON SIZE(cm)	Qty.	G.W.	20GP container can load (Qty)	40HQ container can load (Qty)
2X2 FT	3.8kg/pc	68x70x25	4pcs/CTN	19.0kg/CTN	996	2244
1X4 FT	3.7kg/pc	129x40x25	4pcs/CTN	18.5kg/CTN	852	2156
2X4 FT	7.3kg/pc	129x70x25	4pcs/CTN	35.2kg/CTN	512	1204



## Warning

- Please use the product within the specified range of voltage.
- Please follow the correct installation steps to install the product, and do not touch when it is working.
- Please turn power off when installing and removing the products to avoid risk of electric shock.
- Please install the panel in the correct sized fixture.
- Do not look directly at LED light source for a long time.

## Warranty

- 5 years warranty from the shipping date;
- ECADS will replace all the failed products due to design/production quality during warranty period;
- ECADS will bear all cost of maintains if the customer can help us to repair locally;
- ECADS don't have the responsibility to compensate for any incorrect installation or artificial damage;
- ECADS don't have the responsibility to compensate for damage occurred during the transit.

## Application Reference

Application for most indoor area for Commercial Lighting, residential lighting and Industrial lighting, etc.

Warning and caution:

1. Don't use in completely enclosed fixture and damp area.
2. Used as safety or emergency lamps are not recommended.



family



office