

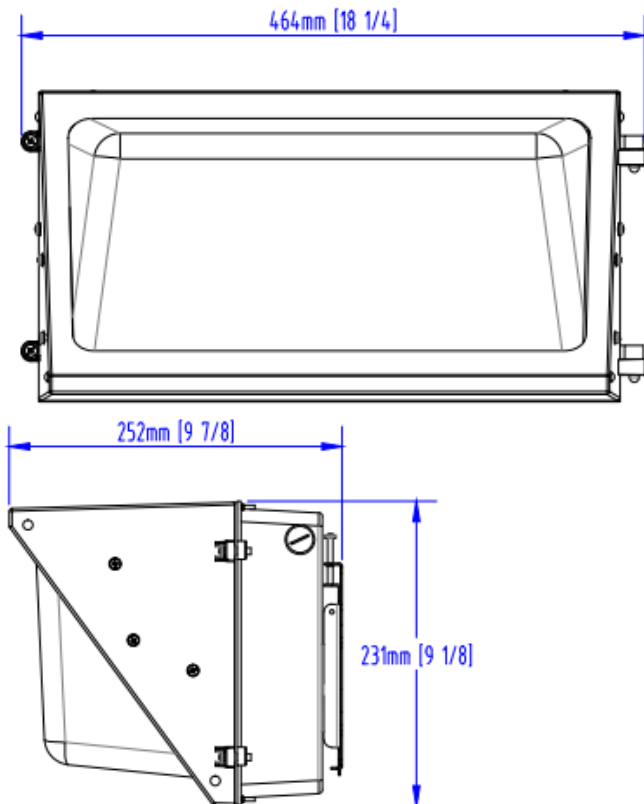
## PRODUCT DESCRIPTION:

Industrial and commercial applications. For road and area lighting like: parking decks, auto dealerships, high masts, apartments, residential complexes, shopping malls, sporting complexes and fields, educational facilities, streets, roadways, parks, recreational bike paths, and municipal lots.

## FEATURES:

- Heavy duty die-cast aluminum housing
- fully sealed with an IP rating of 65
- High quality tempered glass optics
- Integral secondary heat sink to optimize thermal transfer and maximize performance and life of LED
- Driver is mounted in direct contact with the casting for low operating temperature and long life.
- Polyester powder-coated finish, rust and corrosion proof; stabilized to extreme climate changes without cracking or peeling

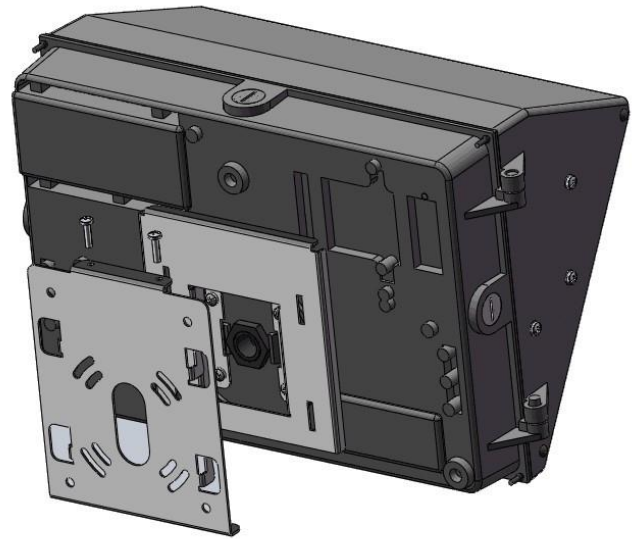
## DIMENSIONS:



## Wall Pack 120W High Lumens Spec

LOD-WP-120WSAD40K-HL

LOD-WP-120WSAD50K-HL



## SPECIFICATIONS:

SPECIFICATION	Details	Details
Model	LOD-WP-120WSAD40K-HL	LOD-WP-120WSAD50K-HL
Input Wattage (W)	120W	120W
Lumens Delivered (LM)	11,689.97LM	13,312LM
Efficacy (LM/W)	97.56LM/W	118.72LM/W
CRI	82.8	72.3
Lifespan	50,000 hours	50,000 hours
Color Temperature	4,000K	5,000K
Wattage Equivalent	600W	600W
Dimmable	Yes	Yes
IP Rating	IP65	IP65
Beam Angle	120	120
Input Voltage	AC120-277V	AC120-277V
Power Factor	0.9335	0.9592
Housing	Aluminum	Aluminum
Lens	Frosted/Clear	Frosted/Clear
Mounting	Wall Surface	Wall Surface
Weight (LBS)	16.53 lbs	16.53 lbs
Size	18.25" x 9.38" x 9"	18.25" x 9.38" x 9"
Certification	DLC, ETL, FCC, CE RoHS, TUV, ISO9001	DLC, ETL, FCC, CE RoHS, TUV, ISO9001
Operating Temperature	-20°C to 50°C (-4°F to 122°F)	-20°C to 50°C (-4°F to 122°F)
Environment	Outdoor	Outdoor
Warranty	5 years limited	5 years limited

4000K is a special-order request

### OPTIONAL ACCESSORIES:

Quick-mount back plate for easy installation



### CONTROLS:

Photocell optional

Motion sensor optional

